

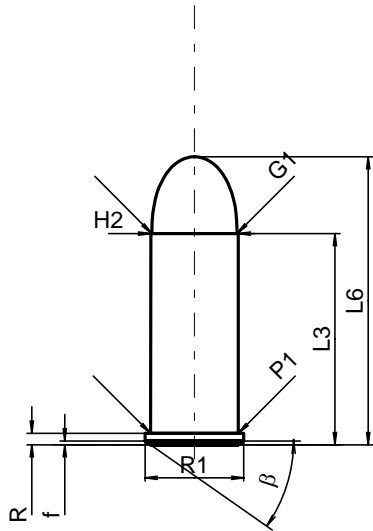
C.I.P.**44 Colt**

Country of Origin: US

TAB. IV

Date 00-02-15

Revision 00-06-07

**CARTRIDGE MAXI****Lengths**

L1	=	
L2	=	
L3 ¹⁾	=	27.94
L4	=	
L5	=	
L6	=	38.10

Case Head

R ¹⁾	=	1.52	-0.25
R1	=	13.06	
R3	=		
E	=		
E1	=		
e min	=		
delta	=		
f	=	0.50	
beta	=	35°	

Powder Chamber

P1	=	11.58
P2	=	

Junction Cone

alpha	=	
S	=	
r1 min	=	
r2	=	

Collar

H1	=	
H2 ¹⁾	=	11.55

Projectile

G1 ¹⁾	=	11.25
G2	=	
F	=	
L3+G ¹⁾	=	39.56

Pressures (Energies)**Method Transducer**

Pmax	=	1000 bar
PK	=	1150 bar
PE	=	1300 bar
M	=	12.50

Miscellaneous Dimensions

Fe ¹⁾	=	0.25
delta L	=	

CHAMBER MINI**Lengths**

L1	=	
L2	=	
L3 ¹⁾	=	28.50

Breech

R ¹⁾	=	1.52
R1	=	13.10
R2	=	
R3	=	
r	=	

Powder Chamber

E	=	
P1 ¹⁾	=	11.63
P2	=	

Junction Cone

alpha	=	
S	=	
r1 max	=	
r2	=	

Collar

H1	=	
H2 ¹⁾	=	11.60

Commencement of Rifling

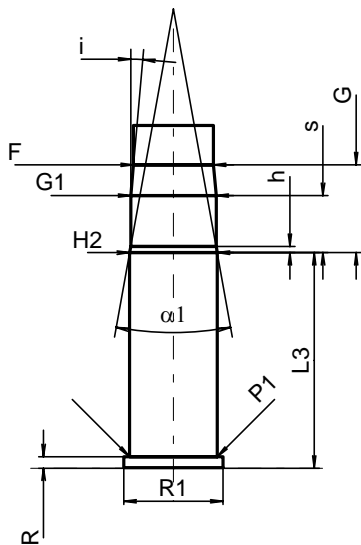
G1 ^{1)*}	=	11.30
G ¹⁾	=	11.62
alpha 1 *	=	20°24'
h	=	0.83
s	=	7.56
i ^{1)*}	=	5°
w	=	

Barrel

F ^{1)*}	=	10.59
Z ¹⁾	=	10.90

Grooves

b	=	2.73
N	=	6
u	=	508.00
Q	=	90.65 mm ²



Scale 1:1

Dimensions in << mm >>
Dimensions and Tolerances for Proof Barrels
see Appendix CR 1.

Notes: 1) Check for safety reasons
* Basic dimensions